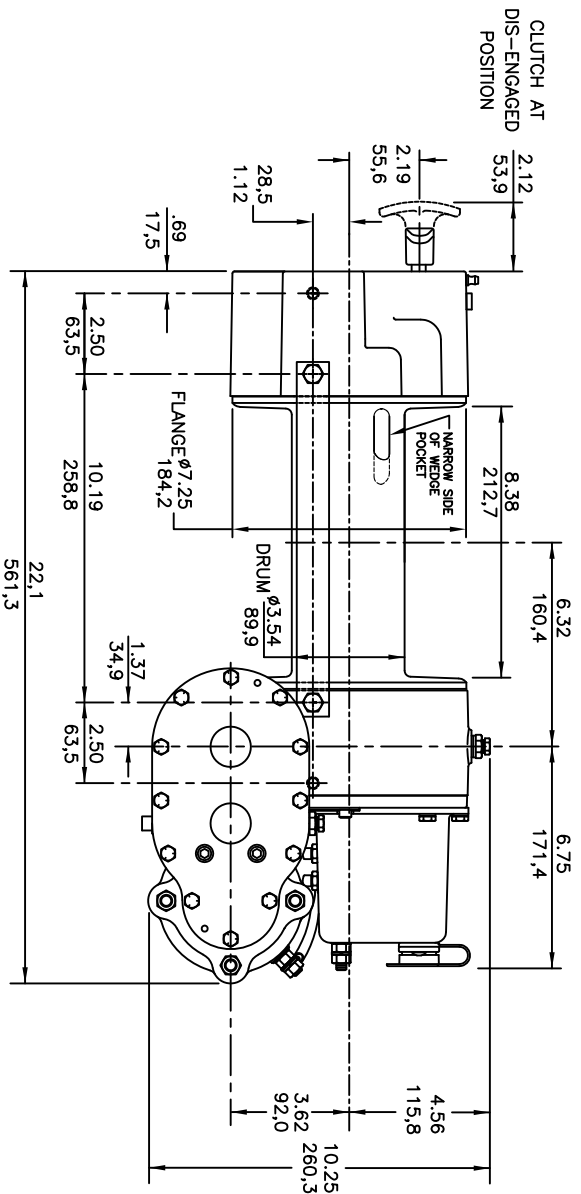
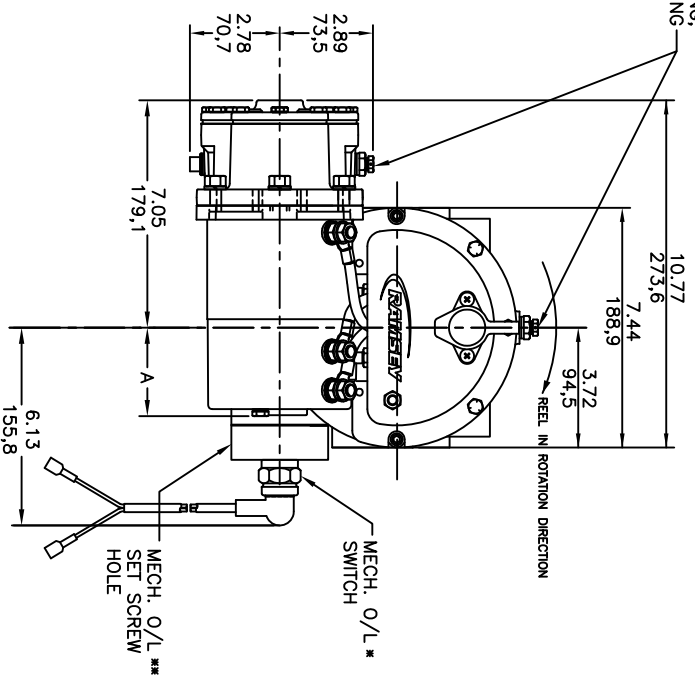


REV	DATE	BY	CHKD	DESCRIPTION
A	11-15-13	MM	MM	RELEASE FOR PRODUCTION

MASK OFF BREATHER VENT FITTINGS
PRIOR TO PAINTING,
REMOVE BEFORE SHIPPING



110708: 24V-ROLLER FAIRLEAD
110709: 12V-ROLLER FAIRLEAD



VOLTAGE	A
12V	3.42
	86.9
24V	2.74
	69.6

- NOTES:
1. DIMENSIONS SHOWN ARE INCHES OVER MILLIMETERS.
 2. MECHANICAL OVERLOAD OPERATES AT RATED LOAD ONLY IN ROTATION DIRECTION SHOWN.
 3. SET MECH. O/L TO 12,850 LB RATING (1,901-1,911 PSI HYD. THRUST).
 4. COVER MECH. O/L SET SCREW HOLE WITH TAMPER PROOF SEALANT.

INCH TOLERANCE UNLESS OTHERWISE SPECIFIED	NAME	DATE	TITLE
DECIMALS	MM	11-15-13	WINCH-RE 50.7 STD RAM-LOK CLUTCH MECH O/L
APPROVED BY: SEE ECH	APPROVED BY: NONE		CE (EN 14492-1)
ANGULAR-±0.30 DEGREES UNLESS OTHERWISE NOTED			

RELIANT	MADE IN CHINA
110708-110709	REV. A
SHEET 1 OF 1	